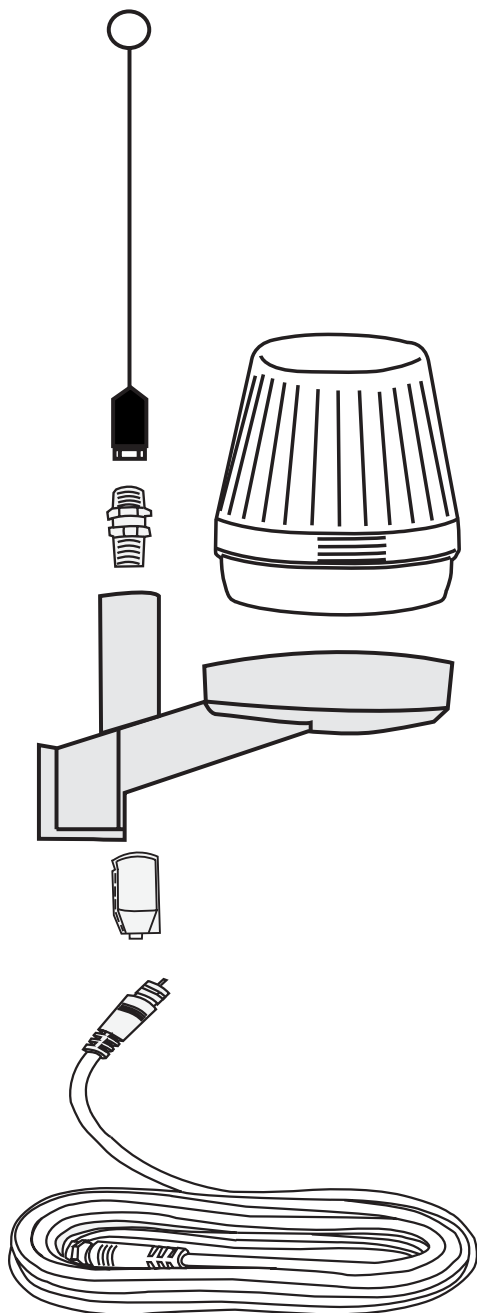


- D** Warnlampe
- F** Feu orange clignotant
- GB** Flashing light
- NL** Knipperlicht

Modell
 Modèle **FLA230-2**
 Model
 Model

Installation



EC - Producer's - Declaration of Conformity

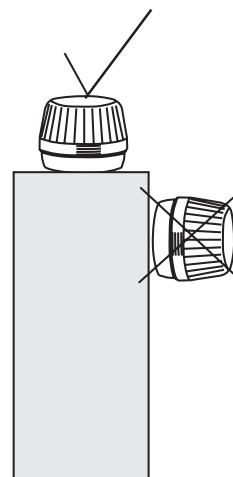
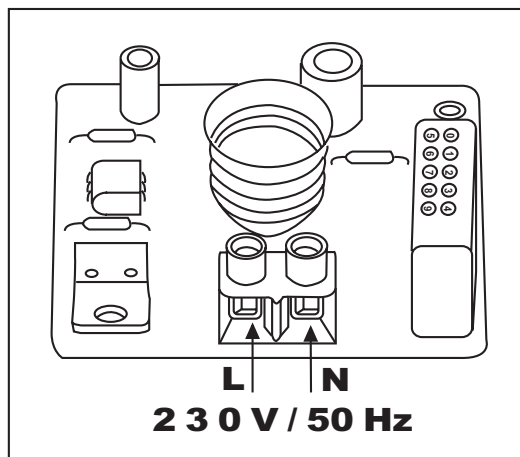
We Chamberlain GmbH
 Alfred-Nobel-Strasse 4 D66793 Saarwellingen

declare, that the following machinery complies with all the essential health and safety requirements of the Directive

Description of machinery: Flashing light	Type of machinery: FLA230-2
EU Directives:	EC Directive for low voltage 73/23/ECC
	EC Directive electromagnetic compatibility 89/336/ECC with amendments
Applicable harmonized standards:	EN 55011, EN 55014, EN 60555-2/-3

Colin B. Willmott
 Chefingenieur Colin B. Willmott

Saarwellingen, 26.08.2002



709060-D